

WHEELS

We produce rubber wheels for agricultural machines of the most famous manufacturers. In addition to rubber wheels, our product range also includes plastic rims for rubber wheels. Also, there is a special unit in the factory – a wheel assembly unit. We can provide the necessary assembly components, or you can deliver them to us.

Largo has equipment specially designed for testing wheels of agricultural machines, which has created the conditions for simulating real exploitation conditions. Each series is preliminarily tested in order to give you a high-quality end product.

Largo has a long experience in the production of wheels for agricultural machinery of 100 mm to 700 mm in size and of large batches of 100.000 pieces.

QUALITY MANAGEMENT

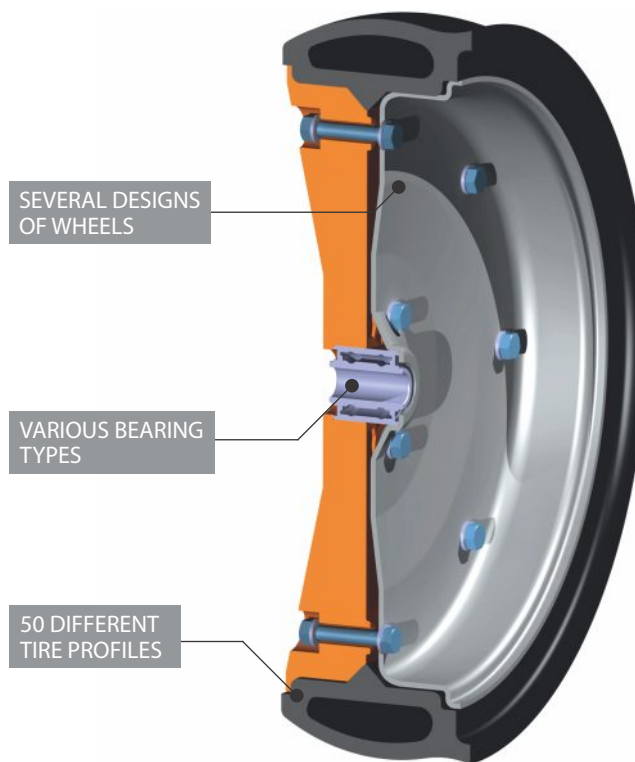
Company has an internationally recognized ISO 9001: 2008 certificate, of the accredited certification company TÜV-SÜD, based in Belgrade.

Bearing in mind the EU market tendencies, the certification act implies the application and development of the defined processes.

The application of these standards enables the transparency and control of the testing process.

Largo is a well-rated company in the international market. The best indicator of the successful business operations of the company is the fact that we export 95% of our products to the countries in the European Union.

Quality and quality control are the most important during the process of development and improvement our products. By doing so, we managed to satisfy the high demands of our clients.



SEVERAL DESIGNS OF WHEELS

VARIOUS BEARING TYPES

50 DIFFERENT TIRE PROFILES

DO YOU WANT TO CREATE YOUR OWN DESIGN?

At the moment, our product range consists of over 50 different tire profiles.

We create new profiles in our own plant in a very short period of time.

We offer several patented wheel designs (wheel rims) made of plastic and steel.

Do you want to create your own design? Our designers can help you in that or create a model especially for you.

We can offer you various types of bearings of trusted manufacturers: single ball bearing, double ball bearings.

Largo! Gummi und Silikontechnik

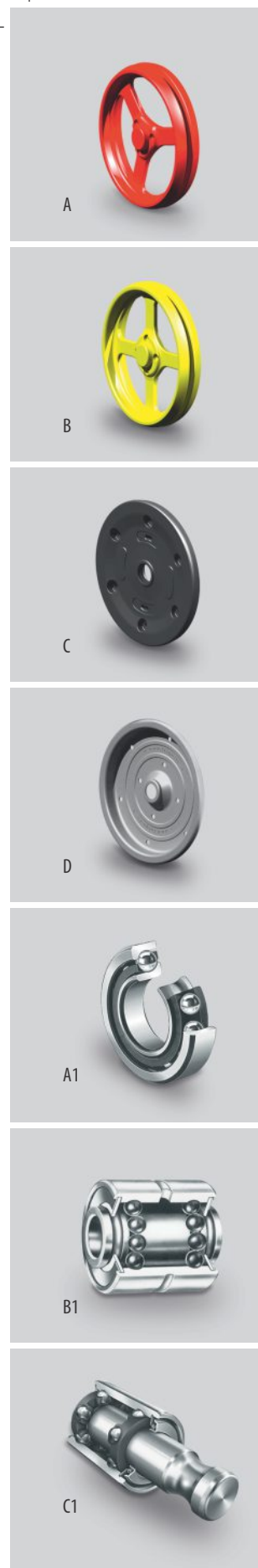
Largo d.o.o. | tel: ++381 31 560 020
 Popova Voda b.b. | fax: ++381 31 560 420
 31311 Užice – Bela Zemlja | www.largo.rs
 Republic of Serbia | e-mail: info@largo.rs



Largo! Gummi und Silikontechnik

**EXCELLENCE
IN SEEDING**

Your soil machine deserves the best!



Tire No.	Outside diameter	Width	Rubber hardness	Wheel design	Bearing type	Wheel catalog No. in assembly	Tire No.	Outside diameter	Width	Rubber hardness	Wheel design	Bearing type	Wheel catalog No. in assembly	Tire No.	Outside diameter	Width	Rubber hardness	Wheel design	Bearing type	Wheel catalog No. in assembly	Tire No.	Outside diameter	Width	Rubber hardness	Wheel design	Bearing type	Wheel catalog No. in assembly								
Tire No. 00100	160	40	40-70	A	B1	0100AB1	Tire No. 00107	230	80	60-70	C	B1	0107CB1	Tire No. 00114	280	65	60-70	C	B1	0114CB1	Tire No. 00121	310	100	60-70	D	A1	0121DA1	Tire No. 00129	370	165	60-70	D	A1	0129DA1	
Tire No. 00101	160	70	40-70	A	B1	0101AB1	Tire No. 00108	250	25	60-70	C	A1	0108CA1	Tire No. 00115	280	65	60-70	C	B1	0115CB1	Tire No. 00122	330	50	40-60	A	B1	0122AB1	Tire No. 00130	380	50	60	C	B1	0130CB1	
Tire No. 00102	170	15	60-70	C	A1	0102CA1	Tire No. 00109	250	42	40-60	C	A1	0109CA1	Tire No. 00116	280	100	60-70	D	B1	0116DB1	Tire No. 00125	330	50	40-60	A	C1	0122AC1	Tire No. 00131	380	65	60-70	C	B1	0131CB1	
Tire No. 00103	185	30	50-70	C	A1	0103CA1	Tire No. 00110	265	100	60-70	D	B1	0110DB1	Tire No. 00117	290	50	60-70	B	B1	0117BB1	Tire No. 00126	330	75	50-60	C	B1	0126CB1	Tire No. 00132	380	75	60	C	B1	0132CB1	
Tire No. 00104	200	15	60-70	C	A1	0104CA1	Tire No. 00111	280	60	60-70	C	B1	0111CB1	Tire No. 00118	295	100	60-70	D	A1	0118DA1	Tire No. 00127	360	50	50-60	D	A1	0127DA1	Tire No. 00133	400	65	60-70	C	B1	0133CB1	
Tire No. 00105	200	65	60-70	C	B1	0105CB1	Tire No. 00112	280	65	60-70	C	B1	0112CB1	Tire No. 00119	300	100	60-70	D	A1	0119DA1	Tire No. 00128	370	165	60-70	D	A1	0128DA1	Tire No. 00134	400	115	60-70	C	B1	0134CB1	
Tire No. 00106	210	15	60-70	C	A1	0106CA1	Tire No. 00113	280	65	60-70	C	B1	0113CB1	Tire No. 00120	310	25	60-70	C	B1	0120CB1															

